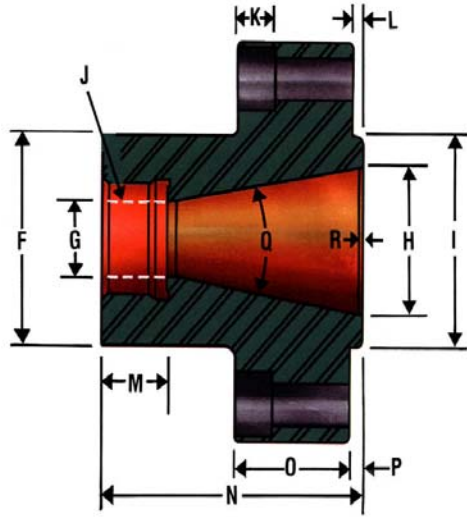
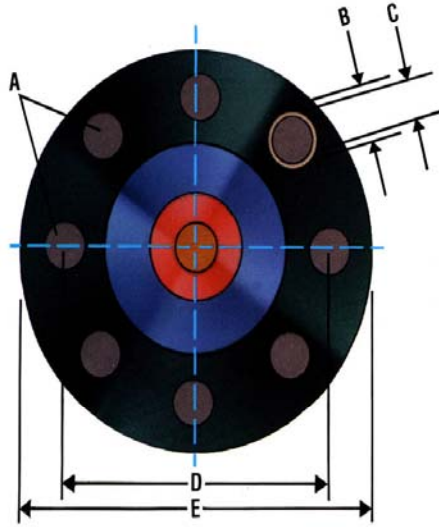


**Performance
Guaranteed**

End Cap Specifications

Machine Brand

Machine Barrel Diameter



A Number of Bolt Holes _____
 B Counter Bore Dia. (if any) _____
 C Bolt Hole Diameter _____
 D Bolt Circle Diameter _____
 E Flange Diameter _____

F Nozzle Support Diameter _____
 G Bore Diameter _____
 H Rear Opening _____
 I Pilot Diameter _____
 J Thread Type _____
 K Counterbore Depth (if any) _____
 L Depth of Straight Bore _____
 M Depth of Female Thread _____
 N Overall Length _____
 O Flange Width _____
 P Length of Pilot _____
 Q Cone Angle _____
 R Barrel Dia. Straight _____
 S Surface Treatment _____

Company _____ Contact _____
 Phone _____ Fax _____



You cannot buy better than a Brownlee.

ENGINEERING/MANUFACTURING

BROWNLEE INDUSTRIAL PARK • 1748 BROWNLEE AVE. • CANTON, OH 44705 • 330/454-4566 • FAX 330/454-7244