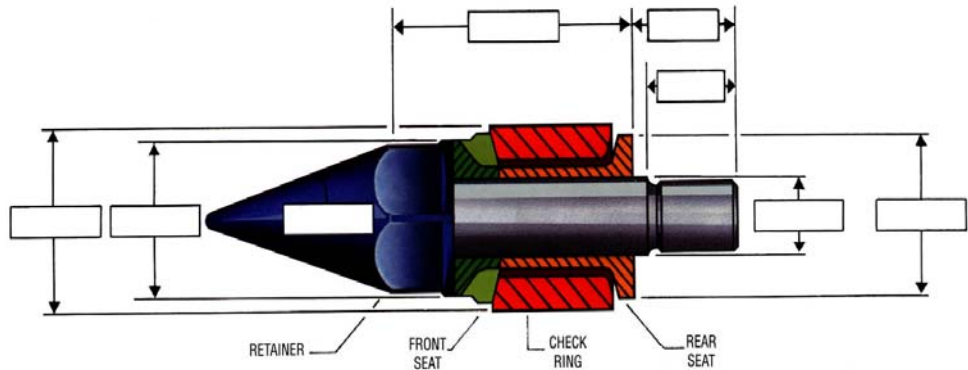


**Performance
Guaranteed**

Screw Tip Specifications

Machine Brand

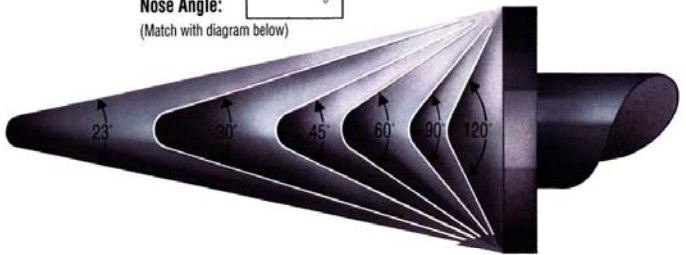
Machine Barrel Diameter



Thread Data:

Inch	<input type="text"/>	Thds	<input type="text"/>
Metric	<input type="text"/>	Lead	<input type="text"/>
Trapezoid	<input type="text"/>	Lead	<input type="text"/>
L.H.	<input type="text"/>	R.H.	<input type="text"/>

Nose Angle: °
(Match with diagram below)



Company <input type="text"/>	Contact <input type="text"/>
Phone <input type="text"/>	Fax <input type="text"/>



You cannot buy better than a Brownlee.

ENGINEERING/MANUFACTURING
BROWNLEE INDUSTRIAL PARK • 1748 BROWNLEE AVE. • CANTON, OH 44705 • 330/454-4566 • FAX 330/454-7244